





WEATHER PROOF, ADA COMPLAINT WALL SCONCE
Shock resistant rotomolded MDPE shade, UV stable
Compact fluorescent or LED sources available

Anatomy

ADA

DIM

IES

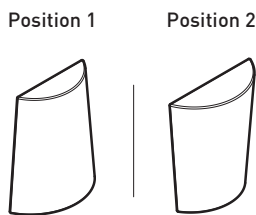
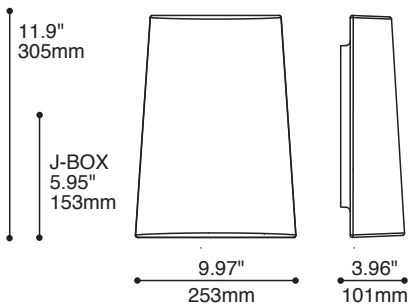
LED

REM



PUR

IP 65 UL WET



SPRING MOUNTED SHADE
Easy installation and maintenance

LIGHT SOURCES
LED : 10.5W
CFL : 26W (DIM & EM available)

BACKPLATE
Highly reflective white polyester powder finish

GASKET
Adhesive back silicone gasket
Temperature and weather resistant

ROTMOLDED DIFFUSER
One part translucent white rotomolded MDPE
UV stable
Extremely durable and
resists temperature from -30°C to +60°C

Graffiti resistant

LOCKING ZINC SCREWS & O-RINGS
Fully sealed for wet location



concoure novae | ÉCOCONCEPTION 2012

SPECIFICATIONS

LED

FLUORESCENT

LIGHT SOURCE	2 x 12 Nichia LEDs	1 x 26w CFL
MODULE	UL recognized - made in USA	
DELIVERED LUMENS	1318 lm	1800 lm
SYSTEM WATTAGE	10.5W	
CRI	85 CRI (typical)	
ROHS	Compliant	
HOUSING	Reflective white powdercoated steel	Reflective white powdercoated steel
HEATSINK	Aluminium	
LIGHT DISTRIBUTION	Direct	Direct
DIFFUSER	Translucent white rotomolded MDPE	Translucent white rotomolded MDPE
VOLTAGE	120V-277V	120/277/347V (B+L), 120-277V (Dimming)
DRIVER / BALLAST	250 mA	B+L Rapid Start - EOL (End-of-Life) protection
DIMMING	Phase dimming (DP) or 0-10V dimming (DV)	Advance Mark 7 & Mark 10, Lutron Ecosystem Digital or 3-Wire
EMERGENCY		IOTA ISL-42-EM-B (1 Lamp 26w-425 lm/90 min)
LM-79	On request	
WARRANTY	5 years	1 year

PUR 3430

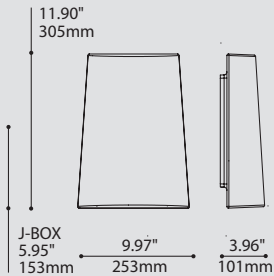
PROJECT PROJET

SPEC TYPE

NOTES



3430



ORDERING SPECIFICATION SPÉCIFICATION DE COMMANDE



CODE

MODEL MODÈLE 3430

3430 PUR

LIGHT SOURCE SOURCE LUMINEUSE

(WATTAGE, LAMP TYPE, LAMP FORM, BASE TYPE, OTHER INFO)

CF.D.26  26W, CFL, DOUBLE TWIN TUBE, G24Q3 BASE
LED  REGULAR OUTPUT

COLOR TEMPERATURE TEMPÉRATURE DE COULEUR

FOR LED ONLY

30 3000K
35 3500K
40 4000K

VOLTAGE VOLTAGE

120V 120 VOLT
277V 277 VOLT
347V* 347 VOLT

*ONLY AVAILABLE WITH CF.D.26 (NON-DIMMING BALLAST)

DIMMING OPTION OPTION DE GRADATION

AVAILABLE WITH CF.D.26 ONLY

DM1 ADVANCE MARK 10 ELECTRONIC DIMMING BALLAST
DM7 ADVANCE MARK 7 ELECTRONIC DIMMING BALLAST
DED LUTRON ECOSYSTEM ELECTRONIC DIMMING BALLAST (ECOSYSTEM DIGITAL LINK WIRING)
DE3 LUTRON ECOSYSTEM ELECTRONIC DIMMING BALLAST (3-WIRE WIRING)

AVAILABLE WITH LED ONLY

DV 0-10V DIMMING (120-277V)
DP PHASE DIMMING (120V ONLY)

LED DIMMING DRIVER IS STANDARD IN THIS PRODUCT, PLEASE SPECIFY YOUR DIMMING TYPE.

EMERGENCY BATTERY BATTERIE D'URGENCE

AVAILABLE WITH CF.D.26, 120V OR 277V ONLY. NOT AVAILABLE WITH A DIMMING BALLAST.
NOT AVAILABLE FOR OUTSIDE APPLICATION. ⁽¹⁾ 3981 ACCESSORY IS REQUIRED FOR THIS OPTION

REM⁽¹⁾ REMOTE EMERGENCY BATTERY*

DIFFUSER FINISH FINI DIFFUSEUR

WH WHITE

WH

ACCESSORY ACCESSOIRE

3981 JUNCTION BOX FOR CFL RECESSED EMERGENCY BATTERY
3982 SURFACE MOUNTING PLATE
3983 DEEP JUNCTION BOX (PROVIDED WITH LED LIGHT SOURCE)

PRODUCT CHARACTERISTICS CARACTÉRISTIQUES DU PRODUIT

ADA **BIM** **DIM** **EMB** **IES** **LED** **REM**  

DESIGN: Pure and simple design, this ADA compliant sconce is certified for wet location applications.
LIGHT SOURCE: 4W or 8W LED or 26W CFL. Dimming and remote EM available (26W only).
STRUCTURE: Die-formed steel with reflective white polyester powder finish and silicone gasket. Spring mounted shade with secure screw lock for outdoor applications.
DIFFUSER: Translucent white rotomolded MDPE. Beautiful yet extremely tough and graffiti resistant.
CERTIFIED: CSA Listed to US and Canadian safety standards; 25°C ambient and wet-locations. IP65 rated

CONCEPTION: Applique pure et simple conforme à la norme ADA et appropriée pour les endroits mouillés.
SOURCE LUMINEUSE: DEL 4W ou 8W offertes ou CFL 26W. Ballasts à gradation et d'urgence à distance offerts (26W seulement).
STRUCTURE: Acier embouti avec peinture électrostatique à base de polyester réfléchissante. Joint d'étanchéité en silicone. Diffuseur assemblé par ressort avec vis supplémentaire pour montage extérieur.
DIFFUSEUR: Blanc translucide, en MDPE rotomoulé. Magnifique, tout en étant très robuste et résistant aux graffitis.
CERTIFIÉ: Homologué CSA aux standards UL Canada et É.-U. - Température ambiante 25°C et emplacements mouillés. Conforme à la norme IP65

Photometric Report

3430-LED

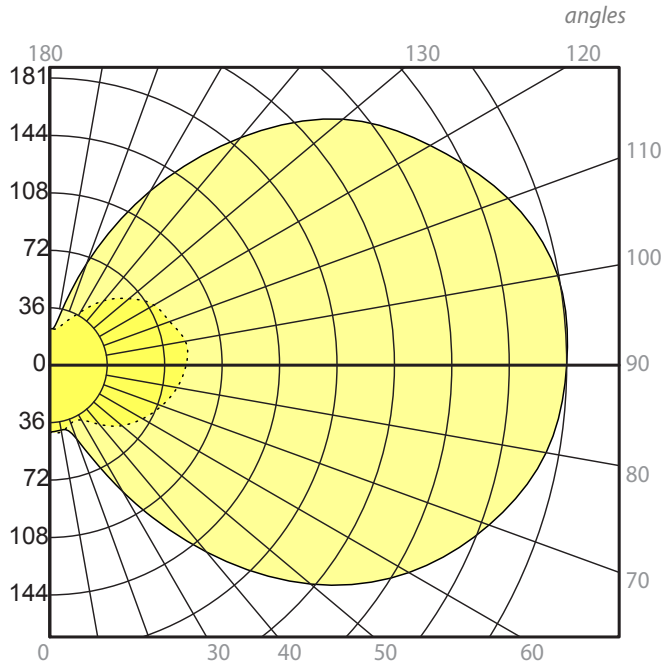
CCT (K):	4000
Delivered Lumens (lm):	1318
System wattage (W)*:	10.42
Distribution:	Direct-Indirect
Delivered Efficacy (lm/W):	126.5
Photometric type	C

Luminous dimensions

Luminous shape:	Rectangular
Units:	in (mm)
0-180 Axis:	0.3
90-270 Axis:	0.8
Height:	1.0

Luminaire spacing criteria

2 luminaires, plane 0:	1.66
2 luminaires, plane 90:	1.68
4 luminaires:	2.78



Photometric Report

3430-1xCFD26
One 26w Compact Fluorescent

Number of lamps: 1
Lumens per lamp: 1800
Input watts: 28
Distribution: Direct-Indirect
Efficiency: 87.2
Photometric type: C

